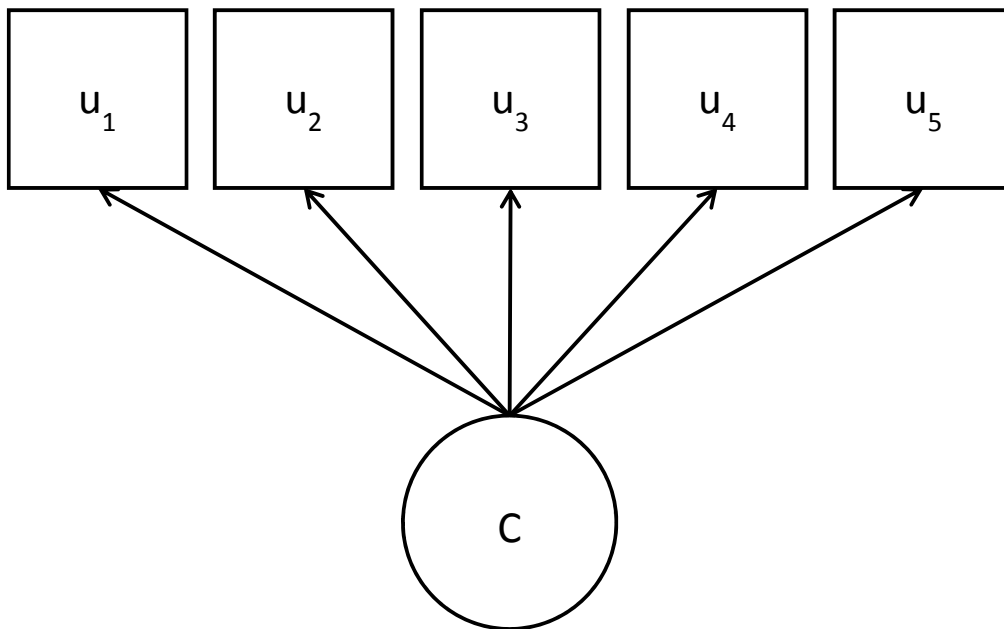
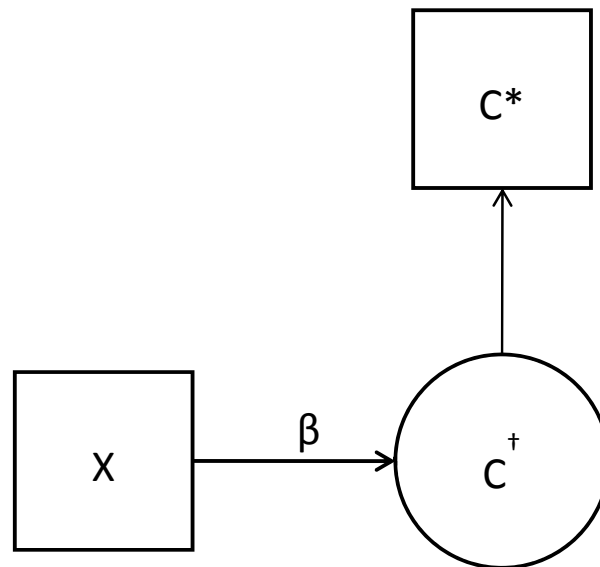


Figure A. Illustration of three-step estimation for Longitudinal Latent Class Analysis

(i) Step one of three-step estimation



(ii) Step three of three-step estimation



Footnote: Ordinal repeated measures of bedwetting are indicated by  $U_1, \dots, U_5$  with  $X$  being a particular covariate. Squares indicate observed (manifest) variable – i.e. those present in the dataset, and circles are latent variables which are estimated using a latent variable measurement model. Constrained relationship between  $C^\dagger$  and  $C^*$  yield unbiased estimate of the parameter(s) of interest ( $\beta$ ).